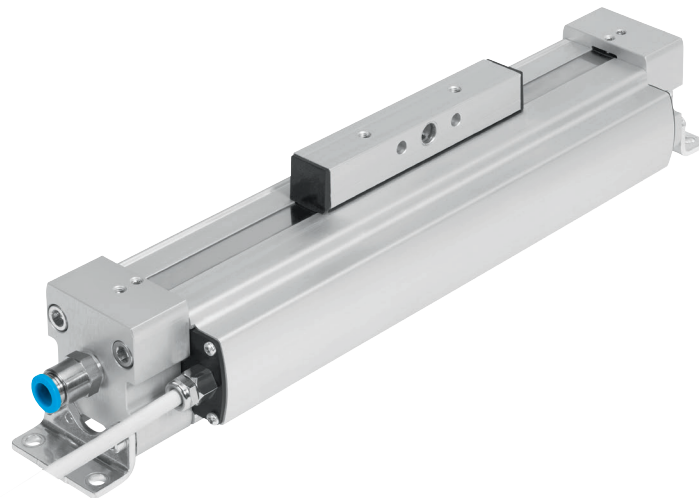


Rodless servo pneumatic actuator DDLI

FESTO



Precise Positioning

Highlights

- Unique servo pneumatic solution for positioning and force control
- Integrated position feedback
- Dynamic movements
- Improved cycle times over standard pneumatics
- Play-free coupling

Unique Solution with Servo Pneumatics: Get servo performance using the DDLI pneumatic actuator with integrated position feedback. Fast, controlled positioning anywhere along the actuator is easy, or use force control to regulate feed forces on the fly.

Integrated Position Feedback:

The DDLI includes absolute position feedback using a contactless magnetostrictive encoder. With a protection rating of IP67, the integrated feedback can be used in wet and dirty environments.

Position and Force Control with the CPX-CMAX: When used with the CMAX servo pneumatic controller, the DDLI can be operated like an electric servo drive to perform positioning and force tasks.

Applications: When positioning heavy loads in a controlled manner, consider the DDLI. For example: positioning a diverter

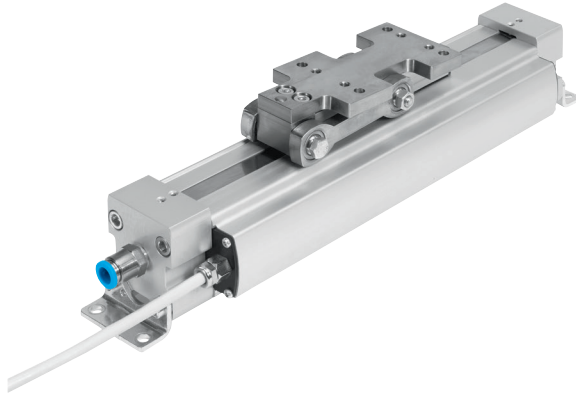
on a conveyer belt, opening and closing large machine doors or clamping components for machining.

Dynamic Movements: The DDLI is well-suited for precise, dynamic movements of large loads. In its largest size, the DDLI can move loads up to 180 kg horizontally and up to 60 kg vertically.

Improved Cycle Times with CPX-CMPX: When used with the CMPX “Soft Stop” module, the DDLI eliminates impacts at the end positions and achieves cycle times up to 30% faster than with comparable standard pneumatic actuators.

Rodless servo pneumatic actuator DDLI

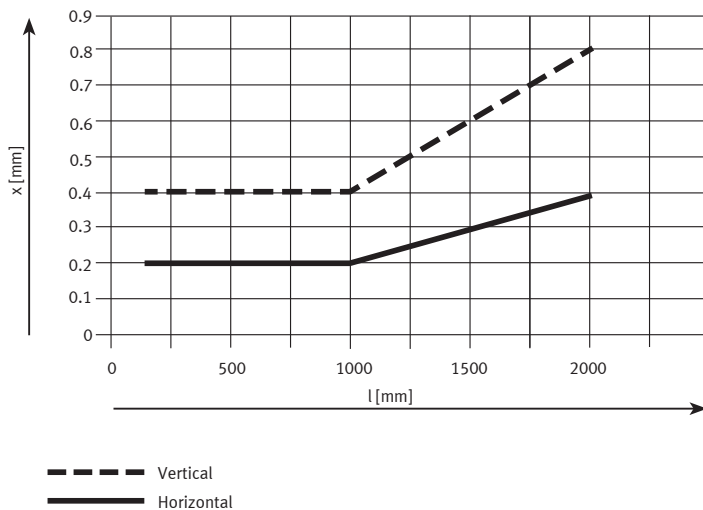
Play-Free coupling



The coupling DARD for the DDLI reduces play between the actuator and load, making for stable position/force control and measurements. Ball-joints in the coupling allow for significant misalignments in position and orientation of the load.

Technical data	
Sizes	25, 32, 40, 63 mm
Stroke Range	100...2,000 mm
Maximum Speed	3 m/s
Maximum Load (horizontal / vertical)	180 kg / 60 kg
Maximum Feed Force	1,683 N
Repeatability	See graph

Repetition accuracy x as function of stroke l



Festo Corporation

www.festo.us